



Fall Protection

Technical Data Sheet
8000104, 8000105, 8000118, 8000119

3M™ DBI-SALA® 3 Piece Davit Base and 5 Piece Davit High Capacity.

Part Number(s): 8000104, 8000105

Product Type: 3 Piece Davit Base High Capacity

Part Number(s): 8000118, 8000119

Product Type: 5 Piece Davit High Capacity



3M™ DBI-SALA® 3 Piece Short Reach Davit Base High Capacity 8000104

3M™ DBI-SALA® 3 Piece Long Reach Davit Base High Capacity 8000105



3M™ DBI-SALA® 5 Piece Short Reach Davit High Capacity (HC) 8000118

3M™ DBI-SALA® 5 Piece Long Reach Davit High Capacity (HC) 8000119

Description

Sub-brand:	DBI-SALA®
Industry:	Various confined space
Applications:	<ul style="list-style-type: none"> • Fall arrest • Rescue • Access

Features

Base Material:	<ul style="list-style-type: none"> • Aluminium 6061-T6, powder coat painted • Steel
Capacity:	<ul style="list-style-type: none"> • Fall arrest: 2 users (140 kg max each) • Load: 205 kg • Rescue: 1 user (140 kg max)
Net Weight:	<ul style="list-style-type: none"> • 8000104 - 37.50 kg • 8000105 - 50.0 kg • 8000118 - 65.3 kg • 8000119 - 81.6 kg
Mast Rotation:	204°
Operating Temperature:	-40°C to +60°C
Standards:	<ul style="list-style-type: none"> • CE EN795:2012 Type B • EN1496:2006 Class B • CEN/TS16415:2013 Type B • AS/NZS 5532:2013

Compatibility with other Davit High Capacity components*

3 Piece Base	<ul style="list-style-type: none"> • Can have only one davit mast extension. • 8000104 to be used with Short Reach Davit Arm High Capacity. • 8000105 to be used with Short or Long Reach Davit Arm High Capacity.
---------------------	-----------------------------------------------------------------------------------------------------------------------------------------------------------------------------------------------------------------------------------------------------

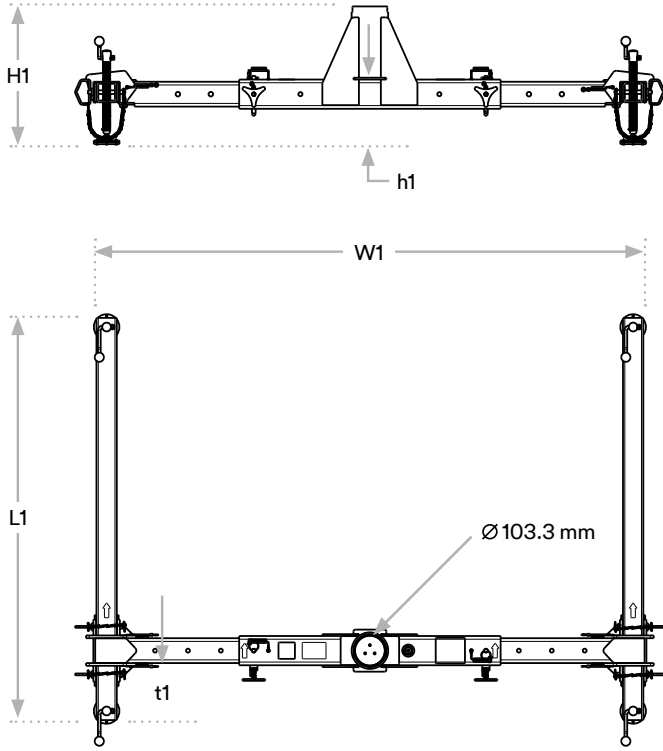
SRL and winches Authorised SRL and winch can be mounted front or back whether on the universal lower mast or davit mast extension.

Structure requirements*

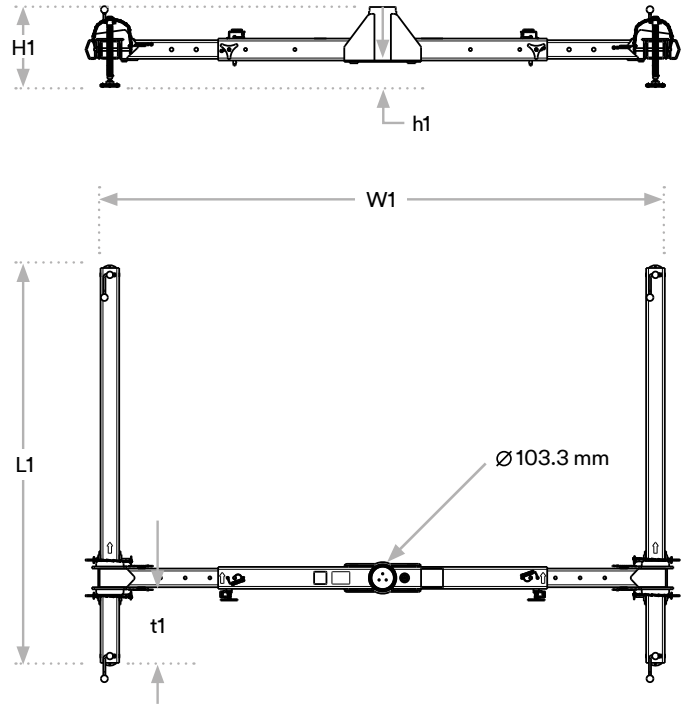
Structure	<ul style="list-style-type: none"> • Whatever structure capable of withstanding a 13.79 kN (3 100 lb) vertical load. • Structure shall be horizontal enough to get the 3 piece base horizontal (bubble level indication) after foot height adjustment. • Foot height adjustment is 16 cm for the 8000104 and 14 cm for the 8000105.
------------------	----------------------------------------------------------------------------------------------------------------------------------------------------------------------------------------------------------------------------------------------------------------------------------------------------------------------------------------------------------------------

*See Instructions For Use (IFU)

3 Piece Davit Base High Capacity

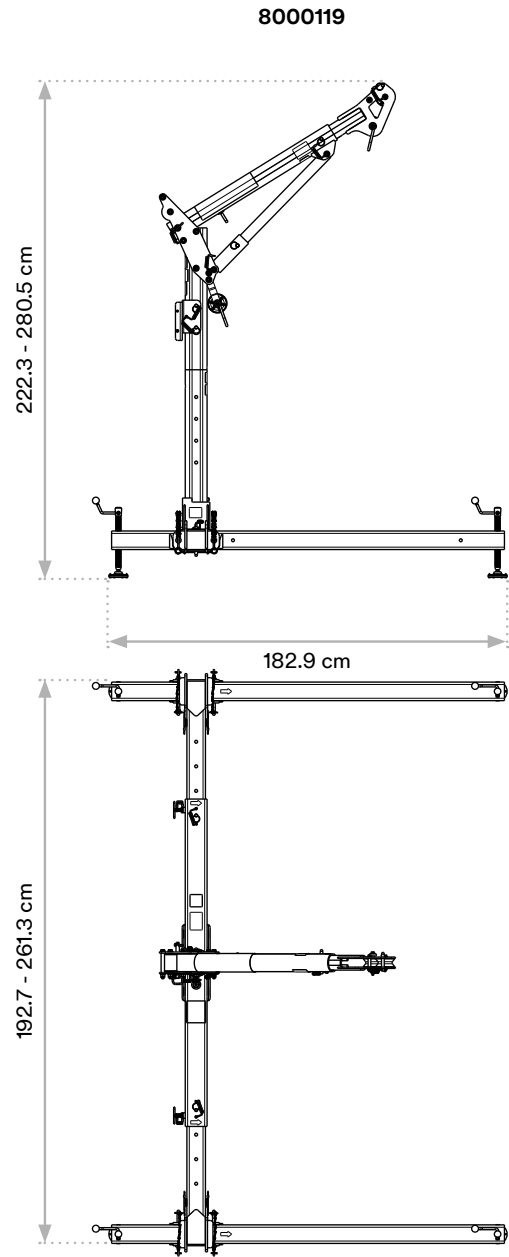
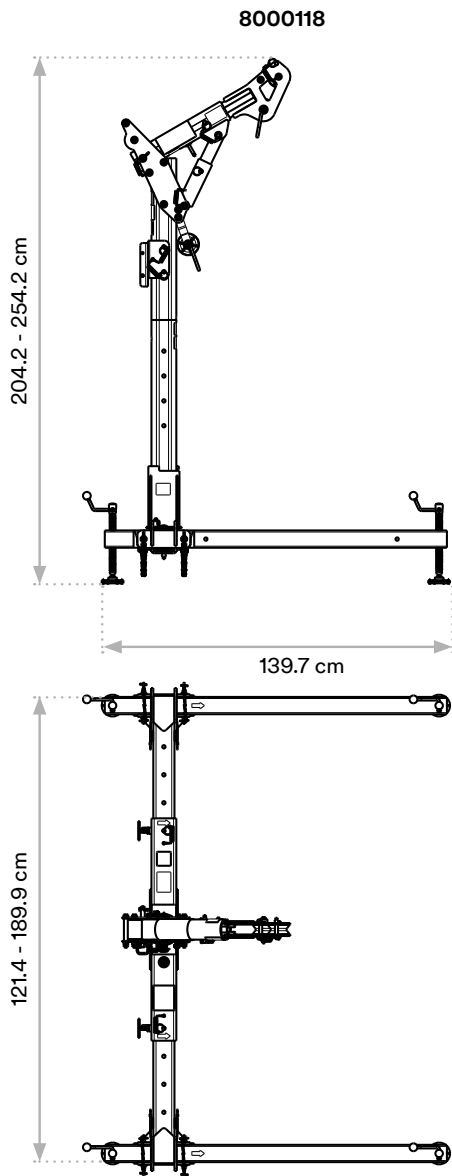


8000104	
h1	14.6 cm - 30.6 cm
H1	38.7 cm - 54.7 cm
W1	121.3 cm - 189.9 cm
L1	139.7 cm
t1	19.8 cm



8000105	
h1	5.3 cm - 19.7 cm
H1	29.4 cm - 43.8 cm
W1	192.7 cm - 261.3 cm
L1	182.8 cm
t1	35.0 cm

5 Piece Davit Base High Capacity



Important Notice

The mounting and use of the product described within this document assumes that the user has previous experience of this type of product and that it will be assembled by a competent professional according to product documentation. Before any use of this product it is recommended to complete some trials to validate the performance of the product within its expected application.

All information and specification details contained within this document are inherent to this specific 3M product and would not be applied to other products or environment. Any action or usage of this product made in violation of this document is at the risk of the user.

Compliance to the information and specification relative to the product contained within this document does not exempt the user from compliance with additional guidelines (safety rules, procedures). Compliance to operational requirements especially in respect to the environment and usage of tools with this product must be observed. The 3M Group (who cannot verify or control these elements) would not be held responsible for the consequences of any violation of these rules which remain external to its decision and control.

Warranty conditions for products are determined with the sales contract documents and with the mandatory and applicable law, excluding any other warranty or compensation.

3M Fall Protection

Capital Safety (Northern Europe) Limited
3M Centre, Cain Road
Bracknell, Berkshire, RG12 8HT, UK

Capital Safety Group (EMEA)
Le Broc Center, Bâtiment A, Z.1. 1re Avenue – BP15
06511 Carros Le Broc, Cedex, FRANCE

Phone 00 800 999 55500 Email informationfallprotection@mmm.com Web 3M.com/FallProtection

3M, DBI-SALA, belongs to 3M Company and its affiliates.



Fall Protection